



**ARIENS®**



**ZERO-TURN MOWERS 2024 EN-INT**

[WWW.ARIENS.EU](http://WWW.ARIENS.EU)





18

**ARROW SERIES** **ARROW E**

Stand-on mowers are comfortable and fast, but particularly compact, agile and space-saving. Your back and muscles will thank you for the upright working position.



30

**ZENITH E**

Installing batteries in a mower is one thing. Achieving the performance, durability and reliability of a proven professional petrol model is another. Our models with the FusionCore replaceable battery system meet this demand. Try it out for yourself!



34

**ZENITH SERIES**

All our experience in one machine for daily, professional and local authority use. The maximum in performance, durability and comfort. You can rely on it. Every day.



38

**APEX SERIES**

Made for service providers who mow frequently. Top components in the engine, drive and cutter deck combined with an excellent price-performance ratio.



42

**IKON XD SERIES**

Made for gardens of all sizes. Packed with the features found on its larger siblings. Treat yourself to its increased comfort and performance.



46

**EDGE SERIES**

Enjoy the benefits of a zero-turn mower in your garden. Mow with more manoeuvrability and comfort than a lawn tractor and have fun doing it. Made for small to medium gardens with narrow passages.



**CONTENTS**

MEET THE FAMILY	4
WHY CHOOSE A ZERO-TURN?	6
ARIENS FUSIONCORE	12
ZERO-TURN OVERVIEW	16
<b>STAND-ON ZERO-TURN MOWERS</b>	18
ARROW E SERIES	20
ARROW SERIES	24
<b>ZERO-TURN MOWERS</b>	28
ZENITH E SERIES	30
ZENITH SERIES	34
APEX SERIES	38
IKON XD SERIES	42
EDGE SERIES	46
<b>ACCESSORIES</b>	
COMPATIBILITY	50
ZENITH E	51
ZERO-TURNS	52
<b>SPECIFICATIONS</b>	
ZENITH E	54
ARROW E	55
ZENITH	56
ARROW	57
APEX	58
IKON	59
EDGE	59



# MEET THE FAMILY.



**90 YEARS**  
A FAMILY BUSINESS  
SINCE 1933



## A FAMILY BUSINESS

In our field of business, we have remained one of the few family-owned companies. In the fourth generation, since 1933, we live "family" every day in our company. Our streamlined communication channels, decentralised organisational structure and straightforward decision-making procedures enable us to effectively address customer feedback.



## PASSIONATE PEOPLE

The people who make our products are passionate about what they do – ensuring the best job is done, day in day out. Skilled craftsmanship is what makes an Ariens really stand out. Ariens products are made across the U.S. and Europe.



## OUTSTANDING PRODUCTS

Our customers – you – decide whether our machines are good. If our machines do what you ask them to do over the years, then we have succeeded. We have succeeded since 1933. Our goal is clear: to build the best machines for you – then, now and in the future. This is what our name stands for.



## ASTOUNDED CUSTOMERS

Hundreds of thousands of customers use Ariens products every day, worldwide. We regularly receive letters from satisfied and enthusiastic users. It is this customer recognition that motivates us.





# WHY CHOOSE A ZERO-TURN MOWER?

In recent years, the typical lawn tractor with a steering wheel has been replaced by the zero-turn mower, especially in the USA – in private gardens as well as among professional users. For some years now, this trend has also been reflected in Europe. More and more users are becoming aware of the many advantages of a zero-turn.



# ADVANTAGES OF A ZERO-TURN



## MOW FASTER:

- Turn on the spot
- Seamless continuation from the last cutting pass
- Precise driving around obstacles
- Effective mowing saves time and fuel



## MORE COMFORT:

- Greater legroom
- Comfortable, adjustable seats
- Smooth operating features



## LONG LIFE:

- High quality steel frames and cutter decks
- Robust hydrostatic transmissions
- Premium quality engines



## ENJOYABLE:

- Mowing fun – through the combination of speed, manoeuvrability and comfort
- Gain more time for other activities
- No cuttings to dispose of

## HOW MUCH FASTER IS A ZERO-TURN MOWER COMPARED TO A LAWN TRACTOR?

PRACTICAL TRIAL	SELF-PROPELLED WALK-BEHIND LAWN MOWER, 55CM SIDE DISCHARGE	LAWN TRACTOR, 106 CM SIDE DISCHARGE	ZERO-TURN, 106 CM SIDE DISCHARGE
Mowing time (minutes)	201	90	55
Additional rework time (minutes)	0	20	15

Practical example with side discharge mowers from [www.todaysmower.com](http://www.todaysmower.com)  
(estimated 4,000m<sup>2</sup>, flat terrain, ornamental lawn, 40 trees, some additional obstacles)

The zero-turn mower with the same cutting width is **40% FASTER** than a lawn tractor

## WHY IS A ZERO-TURN SO FAST?

### More time for other things.

In contrast to classic lawn tractors with a steering wheel, zero-turn mowers are driven by two independent wheel motors driving each of the rear wheels. Each wheel is individually controlled with one of two steering levers.

### The drive wheels can thus move in the same or different directions.

In practice, this means that you can turn on the spot in one single manoeuvre, unlike a lawn tractor that requires a large turning circle or manoeuvring backwards and forwards. This also means there is less uncut grass in the turning area and obstacles can easily be navigated.

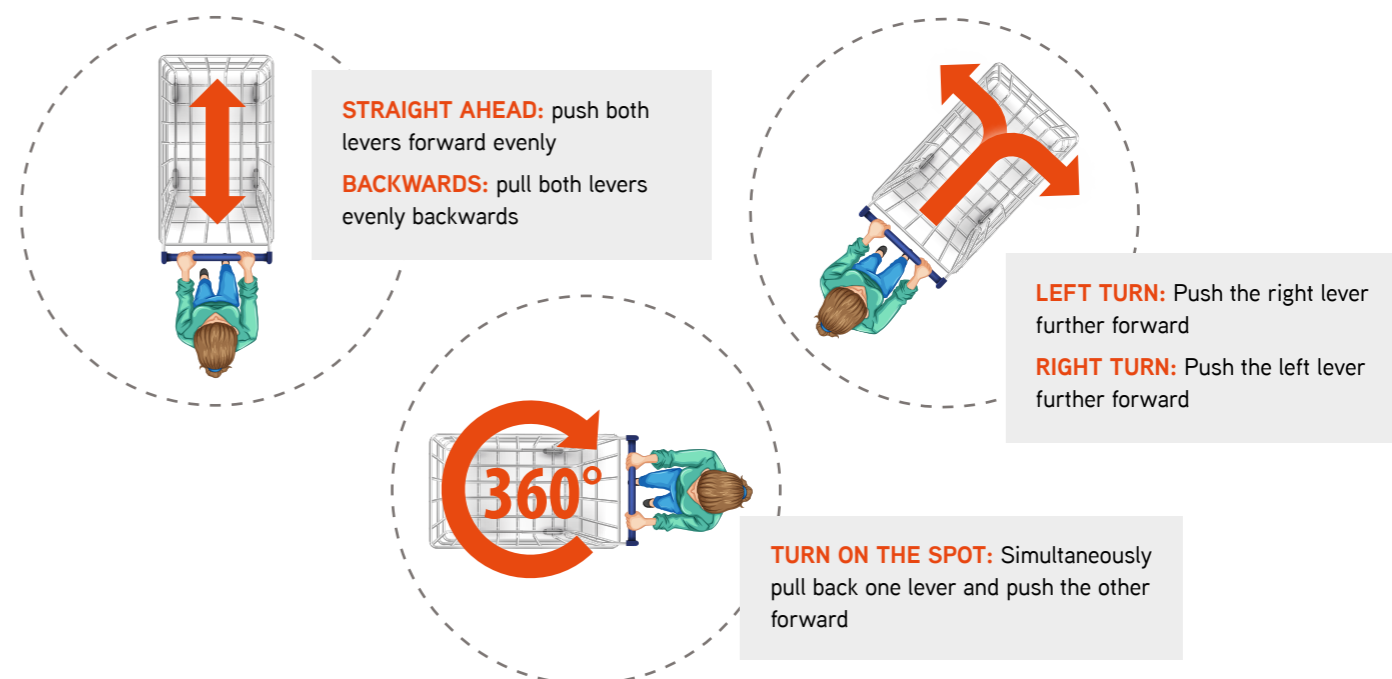
### Its precision significantly reduces annoying "cleaning out" at the end.

Due to their low centre of gravity and 'high-volume' cutter decks, zero-turn mowers achieve higher mowing speeds than lawn tractors. For users who have switched to a zero-turn, the conventional lawn tractor with a steering wheel has had its day.

## CAN ANYONE DRIVE A ZERO-TURN?

### Zero-turn driving is very easy.

In the beginning, it just needs a little practice. **The shopping trolley comparison is the easiest way to understand.** Depending on the manoeuvre, move the levers as follows:





## BEAUTIFUL LAWNS WITHOUT COLLECTING

**Ariens zero-turn mowers all mow without a collection bag.** There is a simple but good reason for this. With a collection bag, the biggest advantage of a zero-turn mower is nullified – its speed. However, a bag is not necessary to keep lawns looking good. Depending on the area, you can choose between side discharge, side discharge with mulch kit or rear discharge. A clean cut is always the result.

## WHICH CUTTER DECK IS RIGHT FOR ME?

All Ariens zero-turn mowers are available with side discharge cutter decks in which can be fitted an optional mulching kit. For the ZENITH E, ZENITH, APEX and ARROW E models, rear discharge cutter decks without a mulching kit option are also available.

### SIDE DISCHARGE:

**A side discharge cutter deck gives you flexibility as an optional mulching kit can be fitted.**

- Very strong airflow cuts even fine grass and well-trodden lawns perfectly
- Distributes the clippings over a large area
- Very good visual result
- Copes very well with overgrown lawns without clogging up
- Enables highest mowing speed
- Cuttings are ejected to the side



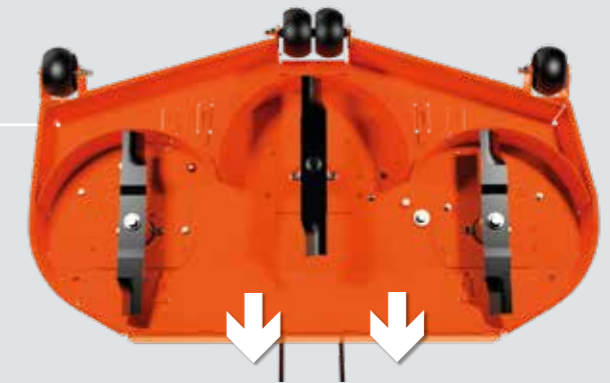
- A mulching kit can be fitted to all side discharge cutter decks. This then closes the side discharge and the deflector can be removed



### REAR DISCHARGE:

**A rear discharge cutter deck is a robust deck for every day use.**

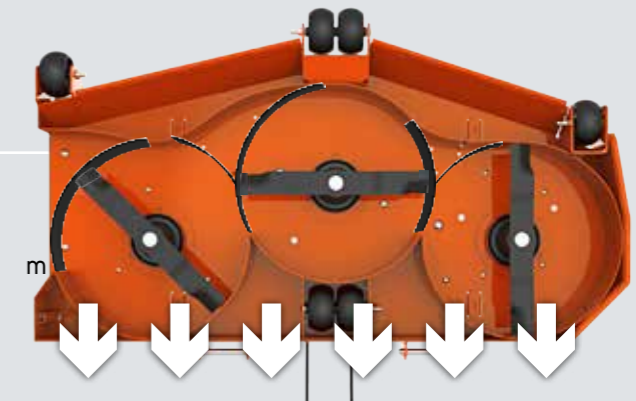
- Strong airflow cuts even thin and well-trodden lawns
- Distributes clippings the full width of the cutter deck
- Very good visual result with fine to medium grass thickness
- Copes well with overgrown lawns without clogging up
- Allows high to highest mowing speed
- All-round edge protection of the cutter deck
- Obstacles can be mowed close to the edge on both sides



### MULCH KIT:

**A mulching kit provides a very even cutting pattern on low to medium height turf. It can be optionally fitted to all side discharge cutter decks.**

- With a built-in mulching kit, clippings are kept in the cutter deck longer
- The special mulching blades (included in the mulching kit) have two cutting edges at different heights
- The clippings are chopped finer and evenly distributed into the lawn, over the full width of the cutter deck
- A visually appealing cutting pattern is created
- Obstacles can then be mown close to the edge on both sides



### ADVANTAGES OF MULCHING:

- Clippings disappear almost invisibly into the lawn
- Protects the lawn from drying out
- Keeps moisture and fertiliser in the lawn
- Reduces the need for fertiliser by 30%



# PROFESSIONAL BATTERY ZERO-TURN MOWER

AS POWERFUL AS A PETROL ENGINE  
BUT QUIETER AND EMISSION-FREE\*

The ZENITH E and ARROW E are fully professional, battery-powered zero-turn mowers designed specifically for professional users. Their power comes from the Ariens FusionCore swappable battery system, which gives you the capability to mow all day\*\*. When batteries run out, just swap them in seconds and continue working. The Ariens FusionCore battery system is currently the only commercial system on the market with swappable batteries.

For the professional user, working in urban, populated areas brings special requirements that are now difficult to manage with conventional combustion machines. Customer sensitivity to excessive noise and carbon emissions can limit the use of petrol or diesel engine mowers near schools, offices, hospitals and inner city parks.

Ariens FusionCore mowers are one of the first fully professional, battery-powered zero-turn mowers that overcome these issues without compromising on performance or productivity. Based on the best-selling ZENITH platform, the ZENITH E offers the same outstanding features, but with the most advanced battery technology, making it the industry leader in interchangeable battery zero-turn mowers for three years now.

\* At point of use

\*\* Depending upon operational hours, operator usage and cutting conditions

POWERED BY  
FUSIONCORE

The FusionCore system is a proprietary development by Ariens. It offers above-average performance in all components – in the wheel drive, in the blade motors and in the cutting quality.

QUICKSWAP  
INTERCHANGEABLE POWER SYSTEM

The only commercial swappable battery system on the market allows you to mow non-stop. It allows unrivalled flexibility and compatibility between the ZENITH E and ARROW E models.



Maximum range with one battery charge:\*  
Six football pitches in 4.5 hours. (ZENITH E, 52" side discharge, ECO mode)

\*Range varies depending on cutter deck, driving lever position, obstacles, temperature and clippings.



The difference between a battery-powered mower and a comparable petrol model is striking in the long run

→ Scan the QR code to find out how much you could save

3 YEAR  
BATTERY  
WARRANTY

Even after 1000 full charge cycles, the FusionCore battery is still powerful.



# FUSIONCORE™ TECHNOLOGY

Having decided to develop professional battery zero-turn mowers, Ariens had very clear objectives from the beginning:

- Same cutting quality as a petrol model
- Smooth and powerful drive similar to hydrostatic transmissions
- Same service life and warranty as a combustion engine model

The combination of components is what sets FusionCore apart from other systems on the market. The FusionCore system is exclusive to Ariens machines.

## BATTERY CAPACITY:

Four individual battery packs at 4 kWh = 16 kWh.

**3** YEAR  
BATTERY  
WARRANTY



## INTERCHANGEABLE BATTERIES

Change depleted batteries in seconds. Mow with only two batteries and drive with one. Batteries are compatible between ZENITH E and ARROW E.

## CHARGING SYSTEM:

Standard or fast charging options. On-board in the machine or externally, in the mobile charging station.

Charging time 0-100%:

Normal: 12 hours

Fast: 5.3 hours



## ELECTRIC WHEEL DRIVE:

Transaxles are driven by 5 kW brushless motors coupled with a planetary gearbox that increases torque.



# POWERED BY FUSIONCORE

## LED DISPLAY:

Colour LED display for information, diagnosis and service. Two USB charging sockets.



## ELECTRIC SPINDLE MOTORS:

Three high-performance brushless motors. Motor protection through slipping clutch. Replaceable shaft and lower bearing. Maximum power 3.5 kW per blade.



# ZERO-TURNS EXPERIENCE MAKES THE DIFFERENCE

Since 2005, zero-turn mowers have conquered the lawn tractor market in the USA. Currently, this trend is also repeating itself in Europe. Ariens is one of the largest zero-turn manufacturers on the market. Hundreds of thousands of customers around the world trust our quality. Take advantage of our experience. You are guaranteed to find the right model for you.



## ARROW E

Page 20

**USER: PROFESSIONAL**

The new ARROW E is a professional battery stand-on zero-turn mower for daily use. Its electrical components are identical to the ZENITH E. As a stand-on mower, however, it is more compact, manoeuvrable and has better visibility. An ergonomic and comfortable working posture is better for the operator.



## ARROW

Page 24

**USER: PROFESSIONAL**

The new ARROW is a "stand-on" zero-turn mower for everyday use. Its components are all professional, from the hydrostat to the engine and the 4.5 mm thick cutter deck. With its compact design and mowing widths of 81 and 91 cm, it is the most manoeuvrable of all zero-turn mowers. The right choice for when space is tight between obstacles, flowerbeds and on a trailer.



## ZENITH E

Page 30

**USER: PROFESSIONAL**

The ZENITH E is a professional battery zero-turn mower for daily use. Its four high-capacity interchangeable batteries provide full power and long range and can be changed in seconds when needed. Choose from nine cutter deck configurations to suit you.



## ZENITH

Page 34

**USER: PROFESSIONAL**

The ZENITH has been the flagship of Ariens for years. All our experience has gone into it. Strong and durable, equipped with premium components and unparalleled suspension comfort. It offers everything the professional user needs



## APEX

Page 38

**USER: PROFESSIONAL**

Service providers and private users with large grounds rely on its high performance, comfort and robust professional components. Its price-performance ratio in the professional segment is unmatched. Choose from six cutter deck configurations to find the right one for you.



## IKON XD

Page 42

**USER: PROFESSIONAL/  
RESIDENTIAL**

The IKON XD can cope with all sizes of garden. It also offers the comfort you need to mow longer without tiring. It is based on the components of its larger colleagues. With the IKON XD, you will quickly forget your old lawn tractor. Now you can do everything faster and more comfortably than before.



## EDGE

Page 46

**USER: RESIDENTIAL**

The EDGE is made for small to medium-sized gardens. With its mowing widths of 86 and 107 cm, it can also be used in tighter spaces. Its manoeuvrability and comfort take mowing to a new level of fun. A robust frame, maintenance-free wheel-drive and powerful engine will serve you reliably for years.

**5 YEAR\***  
OR  
**1500 HOURS**  
WARRANTY

**NO HOUR LIMIT**  
FOR FIRST  
TWO YEARS

**5 YEAR\***  
OR  
**1000 HOURS**  
WARRANTY

**NO HOUR LIMIT**  
FOR FIRST  
TWO YEARS

**5 YEAR\***  
OR  
**1500 HOURS**  
WARRANTY

**NO HOUR LIMIT**  
FOR FIRST  
TWO YEARS

**4 YEAR\***  
OR  
**750 HOURS**  
WARRANTY

**4 YEAR\***  
OR  
**500 HOURS**  
WARRANTY

**3 YEAR\***  
OR  
**300 HOURS**  
WARRANTY

**2 YEAR\***  
OR  
**150 HOURS**  
WARRANTY

\* The current general warranty terms and conditions of AriensCo apply

\* The current general warranty terms and conditions of AriensCo apply



THE PROFESSIONAL'S CHOICE

# STAND-ON ZERO-TURN MOWER



**NEW:** THE COMFORT AND SPEED OF A  
ZERO-TURN MOWER **PLUS**

- + COMPACT DIMENSIONS**  
Especially short and low construction. With a cutting width of 81 or 91 cm, ideal for small, medium and narrow access areas. Saves space and weight during transport.
- + AGILE HANDLING**  
Manoeuvres around obstacles tightly and quickly due to a low centre of gravity and low height. Suitable for mowing across slopes up to 20°.
- + ERGONOMIC WORKING POSITION**  
Upright driving position on a sprung footboard. Gentle on the back and less tiring. Provides a sense of security for the operator.
- + PRACTICAL HANDLING**  
Easy and quick mounting and dismounting. Removing obstacles. Operating the machine with the footboard raised in tight, low and steep situations.
- + BETTER VISIBILITY**  
Cutter deck fully visible to the operator. Precise driving along edges. Reduces annoying 'touch-up' work and minimises risk of collisions.



VISIT [ARIENS.EU](https://ariens.eu) FOR DETAILS

# NEW: ARROW SERIES



POWERED BY  
**FUSIONCORE**

 **QUICK SWAP**  
INTERCHANGEABLE POWER SYSTEM



## A NEW LEVEL OF MANOEUVRABILITY AND ERGONOMICS - FULLY ELECTRIC

Two current trends are coming together. The increasing demand for professional battery mowers and the easy handling of a stand-on mower. The new ARROW E uses the proven Ariens FusionCore swappable battery system and is compatible with all ZENITH E models.

**3 YEAR\***  
**BATTERY**  
**WARRANTY**

**5 YEAR\*** **NO HOUR LIMIT**  
OR **1500 HOURS**  
**WARRANTY** FOR FIRST TWO YEARS

\* The current general warranty terms and conditions of AriensCo apply

### MODEL OVERVIEW

	ARROW E 48	ARROW E 48 R	ARROW E 52	ARROW E 52 R
MODEL	998301	998304	998302	998305
BATTERY TYPE	56V Li-Ion FusionCore Swappable 4x 4 kWh	56V Li-Ion FusionCore Swappable 4x 4 kWh	56V Li-Ion FusionCore Swappable 4x 4 kWh	56V Li-Ion FusionCore Swappable 4x 4 kWh
CUTTING WIDTH	122cm (48")	122cm (48")	132cm (52")	132cm (52")
DECK TYPE	Side discharge	Rear discharge	Side discharge	Rear discharge
MULCH KIT (OPTIONAL)	Yes	No	Yes	No
MAX GROUND SPEED (FWD/REV)	17.7km/h / 8.9km/h (11mph / 5.5mph)	17.7km/h / 8.9km/h (11mph / 5.5mph)	17.7km/h / 8.9km/h (11mph / 5.5mph)	17.7km/h / 8.9km/h (11mph / 5.5mph)



Accessories: Page 51, Specifications: Page 54



# FEATURES & BENEFITS

## ARROW E BATTERY STAND-ON



### FOOT-ASSISTED CUTTER DECK ADJUSTMENT

Quality has its weight. The solid cutter deck of the ARROW E is welded from 4.5 mm thick sheet steel. The height of the deck is adjusted smoothly via a combined system of foot pedal and hand lever.



### SPINDLE MOTORS WITH SLIPPING CLUTCH

The high performance brushless blade spindle motors are equipped with a slip clutch. In the event of a collision with a solid object, it allows the blade to "slip through" and thus protect the motor from damage. If required, the cutter shafts and lower bearings are replaceable.



### LED-DISPLAY / INTERFACE

The colour LED display keeps you constantly informed. Charging state of batteries. Operating modes. Operating hours counter. System diagnosis and fault messages.



### INTUITIVE CONTROLS

All functions of the machine are in the field of vision and within reach of the operator. The maximum travel speed can be limited via a quick-action mechanism with magnetic plug. Electric parking brake and two driving speed levels.



### ECO MODE - DON'T WASTE ENERGY

The ARROW E has an ECO mode switch. When there is little grass or when travelling at a slower speed, the highest blade speed is not required. In this case, use the ECO mode to reduce the blade speed to prolong battery life.

### FOLDING DRIVER'S PLATFORM

The spring-loaded driver's platform can be folded upwards for transport. It can also be used when working under low-hanging branches or when driving across slopes of up to 20°. In no time, the ARROW E becomes a hand-guided "walk-behind" mower.



### QUICKSWAP BATTERY CHANGING SYSTEM

The ARROW E uses the same four 56V battery packs as the ZENITH E. Even with only two batteries, mowing can be done at full power. Even a single battery pack is sufficient for transporting the machine. Fast charging of the four batteries from 0-100% in only 5.3 hours.





# NEW: ARROW SERIES



Powered by  
**Kawasaki**

**5 YEAR\*** OR **1000 HOURS** WARRANTY  
NO HOUR LIMIT FOR FIRST TWO YEARS



ARIENS STAND-ON ZERO-TURN MOWERS  
ARROW

## ACCESS ALL AREAS

The ARROW offers the advantages of a zero-turn mower, but with the compact dimensions of a large walk-behind mower and a near perfect view of the area to be mowed and the cutter deck. The ARROW combines the best of both worlds and can mow larger lawns as well as narrow areas, between beds and in tight spaces. As the name suggests, the ARROW offers both speed and precision. In daily use, you will appreciate the easy mounting and dismounting and its small footprint on a trailer.

\* The current general warranty terms and conditions of AriensCo apply

## MODEL OVERVIEW

	ARROW 32	ARROW 36
MODEL	994302	994303
ENGINE	Kawasaki® FS600 V-Twin 603cc	Kawasaki® FS600 V-Twin 603cc
CUTTING WIDTH	81cm (32")	91cm (36")
MULCH KIT (OPTIONAL)	Yes	Yes
MAX GROUND SPEED (FWD/REV)	12.8km/h (8mph) / 4.8km/h (3mph)	12.8km/h (8mph) / 4.8km/h (3mph)



Accessories and Specifications: Page 57



ZERO-TURNS

# FEATURES & BENEFITS

## ARROW STAND-ON



### DASHBOARD

The operator has everything in view and under control. Throttle, choke, fuel gauge, drive levers, cutting height adjustment and parking brake. An adjustable cruise bar allows the speed to be limited according to the area of use.



### LOW CENTRE OF GRAVITY

The ARROW is suitable for driving across slopes up to 20°. The standing working position gives the operator direct control of the machine. In particularly tight situations, the machine can be guided by hand with the platform folded up.

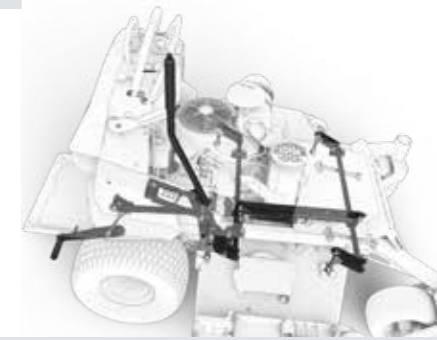
### EXCELLENT VISIBILITY

From the operator's position, the entire cutter deck can be seen. This enables precise driving around obstacles



### HEAVY DUTY MOWER DECK

On any mower, the cutter deck is the most stressed part, especially in daily, commercial use. The ARROW is made for that. Its cutting deck is made of 4.5 mm thick welded sheet steel. The highly stable blade supports are made of forged aluminium and offer greater strength than comparable cast parts. A foot-assisted height adjustment facilitates operation



### COMFORTABLE STANDING POSITION

The upright working position is easy on the back and neck muscles. The operator's legs and the spring-loaded platform absorb all hard impacts. Getting on and off is easy and possible in seconds.



### FITS THROUGH NARROW AREAS AND GATES

Both the 81cm (32") and the 91cm (36") cutter deck allow access to twisty and narrow gardens. The ARROW is the most compact zero-turn mower from Ariens. Due to its high ground speed, it also works well in medium-sized areas.





POWERFUL AND COMFORTABLE

# RIDE-ON ZERO-TURN MOWERS



Zero-turn ride-on mowers are not just for large lawns. We offer the full range. From the compact EDGE for residential gardens to the legendary ZENITH professional mower.



# ZENITH SERIES



POWERED BY  
**FUSIONCORE**

**3** YEAR\*  
BATTERY  
WARRANTY

**5** YEAR\*  
OR  
1500 HOURS  
WARRANTY NO  
HOUR  
LIMIT  
FOR FIRST  
TWO YEARS



## A BATTERY MOWER WITHOUT COMPROMISE

It makes a difference whether a zero-turn specialist builds a battery mower or a battery manufacturer builds a mower. The ZENITH E is based on the frame and cutting deck of the proven ZENITH petrol mower. We developed the electrical components of our Ariens FusionCore system ourselves. This is the only way we can be sure that these components also meet our requirements for a true professional battery mower. Compare the performance data of our ZENITH E with others and you will see the difference.

\* The current general warranty terms and conditions of AriensCo apply

## MODEL OVERVIEW

	ZENITH E 48	ZENITH E 48R	ZENITH E 52	ZENITH E 52R	ZENITH E 60	ZENITH E 60R
MODEL	997303	997306	997304	997307	997305	997308
BATTERY TYPE	56V Li-Ion FusionCore Swappable 4x 4 kWh	56V Li-Ion FusionCore Swappable 4x 4 kWh	56V Li-Ion FusionCore Swappable 4x 4 kWh	56V Li-Ion FusionCore Swappable 4x 4 kWh	56V Li-Ion FusionCore Swappable 4x 4 kWh	56V Li-Ion FusionCore Swappable 4x 4 kWh
CUTTING WIDTH	122cm (48")	122cm (48")	132cm (52")	132cm (52")	152cm (60")	152cm (60")
DECK TYPE	Side discharge	Rear discharge	Side discharge	Rear discharge	Side discharge	Rear discharge
MULCH KIT (OPTIONAL)	Yes	No	Yes	No	Yes	No
MAX GROUND SPEED (FWD/REV)	17.7km/h/8.9km/h (11mph/5.5mph)	17.7km/h/8.9km/h (11mph/5.5mph)	17.7km/h/8.9km/h (11mph/5.5mph)	17.7km/h/8.9km/h (11mph/5.5mph)	17.7km/h/8.9km/h (11mph/5.5mph)	17.7km/h/8.9km/h (11mph/5.5mph)

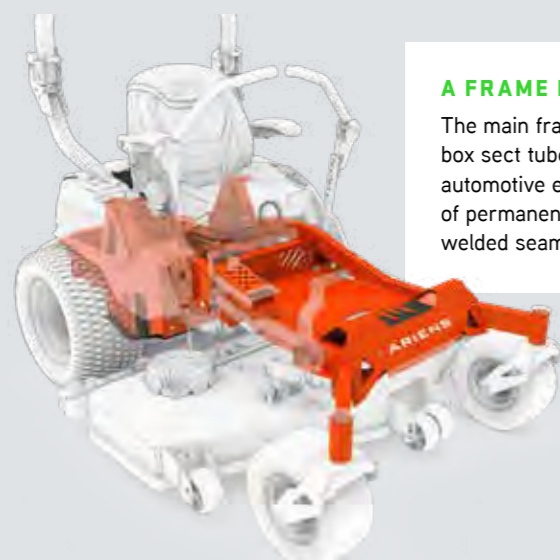


Accessories: Page 50, Specifications: Page 54



# FEATURES & BENEFITS

## ZENITH E BATTERY ZERO-TURN



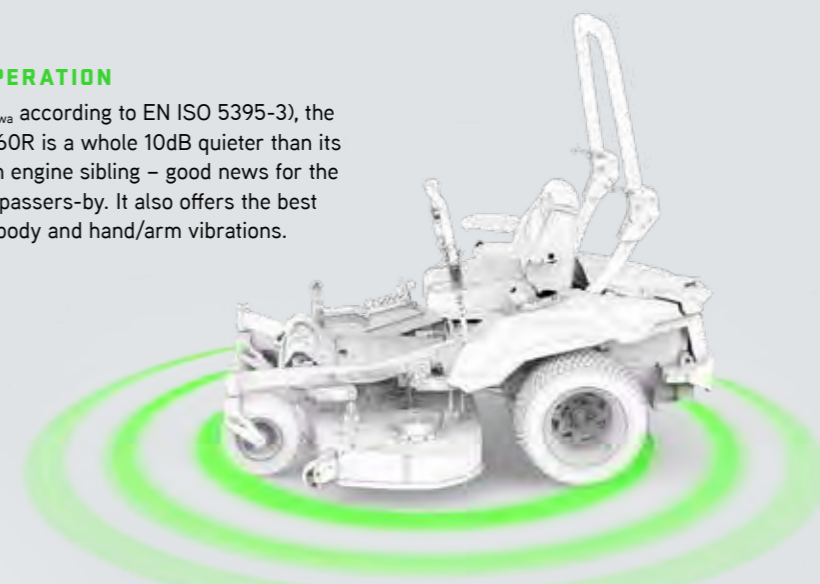
### A FRAME MADE TO LAST

The main frame of the ZENITH E consists of bent steel box sect tubes. The bending technology comes from automotive engineering. Bent tubes have the advantage of permanently withstanding loads. The risk of tearing welded seams is reduced.



### QUIET OPERATION

At 87dB (L<sub>wa</sub> according to EN ISO 5395-3), the ZENITH E 60R is a whole 10dB quieter than its combustion engine sibling – good news for the driver and passers-by. It also offers the best values for body and hand/arm vibrations.



## ZENITH E

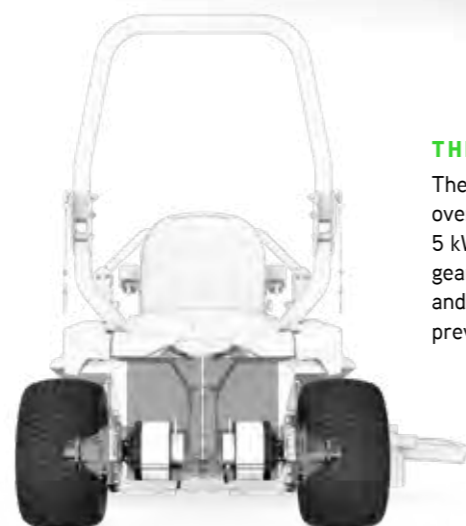
### ENERGY RECOVERY DURING BRAKING

Not a single kilowatt of energy wasted. When braking, the kinetic energy is converted back into electrical energy and fed into the battery packs.



### ECO MODE - DON'T WASTE ENERGY

The ZENITH E has an ECO mode switch. When there is little grass or when travelling at a slower speed, the highest blade speed is not required. In this case, use the ECO mode to reduce the blade speed to prolong battery life.



### THE MOST POWERFUL WHEEL DRIVE

The FusionCore wheel drives are actually oversized. But that's what we wanted. With 5 kW wheel motors mounted to planetary gearboxes results in increased torque and silky smooth ride. Overheating is also prevented.

### BLADE SLIP FEATURE

Ariens patent-pending spindle design can absorb impact, minimising the risk of serious damage. The unique blade slip feature allows the blade to slip momentarily should it hit a solid object, protecting the 3.5kW brushless spindle motors. The spindle has a replaceable bottom bearing allowing for servicing and maintenance without the need to replace the whole unit.





# ZENITH SERIES



Powered by  
**Kawasaki**

**4 YEAR\***  
OR  
**750 HOURS**  
WARRANTY



## MODEL OVERVIEW

	ZENITH 52	ZENITH 52R	ZENITH 60	ZENITH 60R
MODEL	991320	991321	991322	991323
ENGINE	Kawasaki® FX730V 726cc	Kawasaki® FX730V 726cc	Kawasaki® FX730V 726cc	Kawasaki® FX730V 726cc
CUTTING WIDTH	132cm (52")	132cm (52")	152cm (60")	152cm (60")
DECK TYPE	Side discharge	Rear discharge	Side discharge	Rear discharge
MULCH KIT (OPTIONAL)	Yes	No	Yes	No
MAX GROUND SPEED (FWD/REV)	13.7km/h / 6.4km/h (8.5mph / 4mph)	13.7km/h / 6.4km/h (8.5mph / 4mph)	13.7km/h / 6.4km/h (8.5mph / 4mph)	13.7km/h / 6.4km/h (8.5mph / 4mph)

## EVERYTHING A PROFESSIONAL NEEDS

The Ariens ZENITH was developed for professional, daily use and has a commercial cutter deck made of 3.6 mm sheet steel. It is available with side or rear discharge. The front wheel suspension and the fully suspended seat make all-day mowing much more comfortable. The comfort is measurable - in higher productivity and less fatigue. Premium components for long life are standard.

\* The current general warranty terms and conditions of AriensCo apply



Accessories: Pages 50/52, Specifications: Page 56



## ZERO-TURNS

# FEATURES & BENEFITS

## ZENITH ZERO-TURN

### FRONT SUSPENSION FORKS

The ZENITH absorbs bumps and shocks with its front suspension forks. This simple but robust system is stronger than considerably more expensive suspension systems. Try it out. An important feature for "frequent mowers".



### FULL SUSPENSION SEAT

The ZENITH is fitted with a top-of-the-range comfort seat. It has fully adjustable suspension and an extra high adjustable backrest. Thick comfort padding, lumbar support and adjustable armrests adapt to the operator



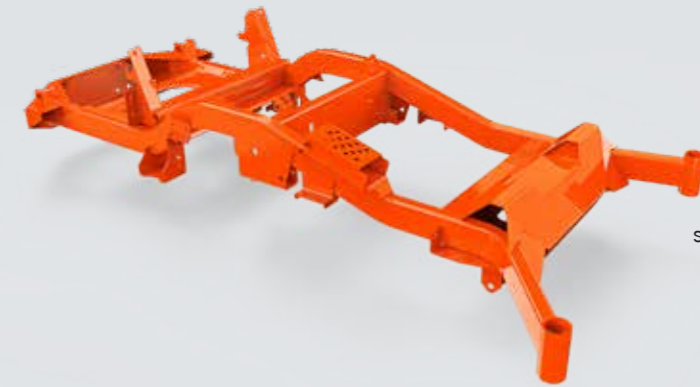
### ROPS (ROLLOVER PROTECTION)

To protect the driver on slopes, the ZENITH is equipped with a rollbar and seatbelt as standard.



### ONE-PIECE TUBULAR FRAME

A large 3"x 1" box section tubular chassis with minimal welds carries the loads of the machine with unparalleled strength and stability.



### CUTTING HEIGHT ADJUSTMENT

A simple and intuitive foot-operated deck lifting system offers effortless adjustment to 15 cutting positions, in 6 mm increments. The cutting height is set by repositioning the deck height pin.



### HIGH PERFORMANCE KAWASAKI ENGINE

The Kawasaki FX730V engine is considered one of the best in its class. With a displacement of 726 cc and fitted with 2-stage cyclone filtration, it delivers maximum power to the transmissions and blades.



### CONSTANT BELT TENSION (CBT)

The self-adjusting belt tension technology in CBT keeps belt tension constant, which maximises belt life, minimises wear and maintains a consistent, quality cut.

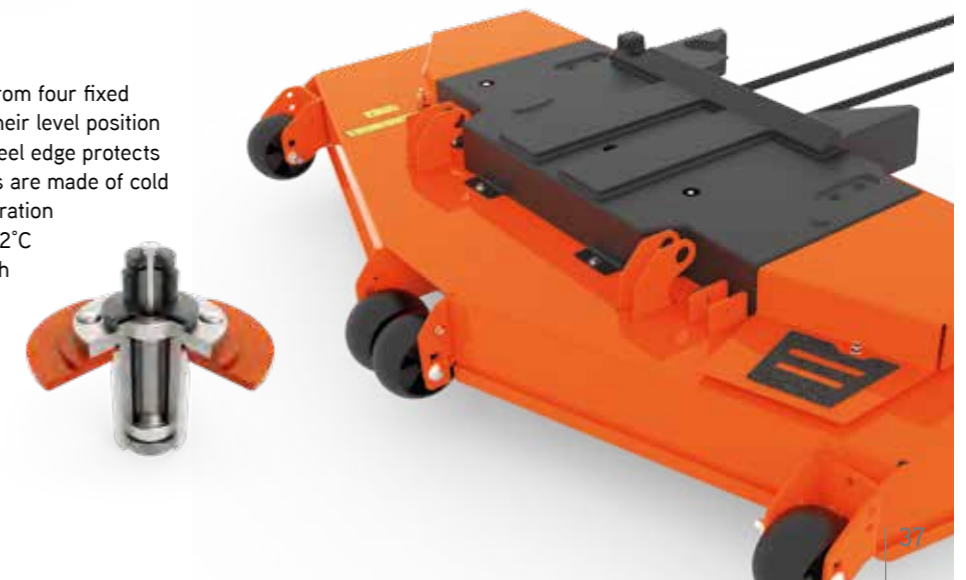
### HYDROSTATIC TRANSAXLES

The two integrated pump and motor transaxles of the wheel drive come from the market leader HydroGear™. The ZT 3200 model in the ZENITH delivers up to 637 Nm of torque. The sensitivity and responsiveness of the drive allows you to work smoothly and with absolute precision. Long maintenance intervals mean you can keep mowing.



### PROFESSIONAL CUTTER DECKS

ZENITH cutter decks are suspended from four fixed points. Once adjusted, they maintain their level position even over uneven ground. A 13 mm steel edge protects the front and sides. The blade spindles are made of cold forged aluminium. These are more vibration resistant than castings and run up to 12°C cooler than steel spindles. With a depth of 14 cm, the deck allows a strong airflow for optimal cutting.





# APEX<sup>®</sup> SERIES



Powered by  
**Kawasaki**

**4** YEAR<sup>\*</sup>  
OR  
**500 HOURS**  
WARRANTY



## A LOT OF MACHINE FOR THE MONEY

The Ariens APEX is the star pupil in its class. It is made for users who have a lot to mow. It doesn't matter if you are a service provider or a private user with large grounds. In all aspects, it is professional – the frame, the engine, the wheel motors and especially the cutter deck. The frame and deck are from its big brother, the ZENITH. For years, APEX has offered top-class value for money.

\* The current general warranty terms and conditions of AriensCo apply

## MODEL OVERVIEW

	APEX 48	APEX 48R	APEX 52	APEX 52R
MODEL	991324	991325	991326	991327
ENGINE	Kawasaki <sup>®</sup> FR691 V-Twin 726cc	Kawasaki <sup>®</sup> FR691 V-Twin 726cc	Kawasaki <sup>®</sup> FR691 V-Twin 726cc	Kawasaki <sup>®</sup> FR691 V-Twin 726cc
CUTTING WIDTH	122cm (48")	122cm (48")	132cm (52")	132cm (52")
DECK TYPE	Side discharge	Rear discharge	Side discharge	Rear discharge
MULCH KIT (OPTIONAL)	Yes	No	Yes	No
MAX GROUND SPEED (FWD/REV)	12.9km/h (8mph) / 6.4km/h (4mph)	12.9km/h (8mph) / 6.4km/h (4mph)	12.9km/h (8mph) / 6.4km/h (4mph)	12.9km/h (8mph) / 6.4km/h (4mph)



Accessories: Page 50/52, Specifications: Page 58



## ZERO-TURNS

# FEATURES & BENEFITS

## APEX ZERO-TURN



### KAWASAKI ENGINE

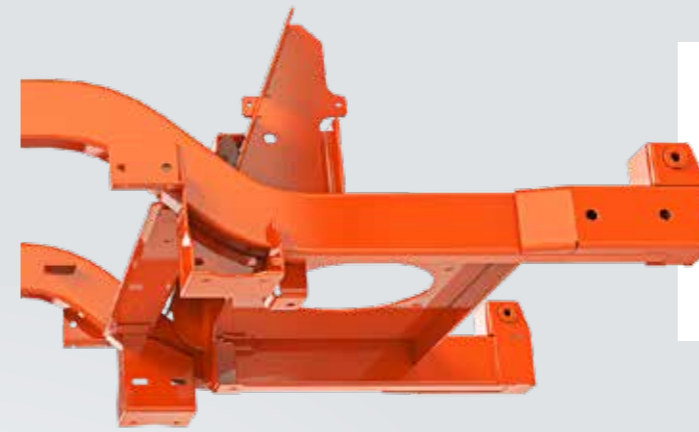
High-quality Kawasaki FR691 V-engine with 726 cc displacement. Reliable all-day power.

### CUTTING HEIGHT ADJUSTMENT

A simple and intuitive foot-operated deck lifting system offers effortless adjustment to 15 cutting positions, in 6 mm increments. The cutting height is selected by repositioning the deck height pin.

### ADJUSTABLE CONTROL LEVERS

The levers on the APEX are adjustable in all directions. They can be optimised for all users and are covered with thick, shock-absorbing foam rubber.



### ONE-PIECE TUBULAR FRAME

A large 3"x 1" box section tubular chassis with minimal welds carries the loads of the machine with unparalleled strength and stability.



### CONSTANT BELT TENSION (CBT)

The self-adjusting belt tension technology in CBT keeps belt tension constant, which maximises belt life, minimises wear and maintains a consistent, quality cut.



### COMFORT SEAT

APEX is equipped with a thickly padded seat with a high backrest. The armrests are also thickly padded. The operator position is adjustable.

### PROFESSIONAL CUTTER DECKS

APEX cutter decks are identical to the decks found on the ZENITH. They are suspended from four fixed points. Once adjusted, they maintain their parallelism without warping. A 13 mm thick steel edge protects the front and sides. The blade spindles are made of cold forged aluminium. These are more vibration resistant than castings and run up to 12°C cooler than steel spindles. With a depth of 14 cm, the deck allows a strong airflow for optimal cutting.



### HYDRO-TRANSAXLES

Two HydroGear™ ZT 3100 hydraulic motors deliver up to 474 Nm of torque. Sensitive, responsive for smooth operation. Maintenance interval 400 hours, after the first oil change.





# IKON XD SERIES



**3** YEAR\*  
OR  
**300 HOURS**  
WARRANTY



## MOW LARGE GARDENS QUICKLY AND COMFORTABLY

The IKON XD makes a good impression in any garden. It has a welded tubular steel frame, a welded cutting deck made of 2.9 mm sheet steel, side discharge or optional mulching kit. A comfortable seat with armrests, a cutter deck adjustment by foot pedal and a rotary selector switch for the cutting height are standard. Its maintenance-free wheel drive reduces maintenance intervals. For the engines, you have the choice between powerful Kawasaki or Ariens engines



## MODEL OVERVIEW

	IKON XD 42	IKON XD 42	IKON XD 52	IKON XD 52
MODEL	915342	915340	915343	915341
ENGINE	Ariens Twin Cylinder 764cc	Kawasaki® FR651 726cc	Ariens Twin Cylinder 764cc	Kawasaki® FR691 726cc
CUTTING WIDTH	107cm (42")	107cm (42")	132cm (52")	132cm (52")
DECK TYPE	Side discharge	Side discharge	Side discharge	Side discharge
MULCH KIT (OPTIONAL)	Yes	Yes	Yes	Yes
MAX GROUND SPEED (FWD/REV)	11.2km/h (7mph) / 4.8km/h (3mph)	11.2km/h (7mph) / 4.8km/h (3mph)	11.2km/h (7mph) / 4.8km/h (3mph)	11.2km/h (7mph) / 4.8km/h (3mph)



Accessories: Page 50/52, Specifications: Page 59

\* The current general warranty terms and conditions of AriensCo apply



ZERO-TURNS

# FEATURES & BENEFITS

IKON XD ZERO-TURN



#### WELDED STEEL FRAME

This is what gives the IKON XD its strength and stability. Because it is welded, it is stiffer than a bolted, multi-part frame. Made from 76.2 mm x 38.1 mm box section steel tubes



#### CUTTING HEIGHT ADJUSTMENT

A simple and intuitive foot-operated deck lifting system offers effortless adjustment to 13 cutting positions. Cutting height is conveniently set via a rotary switch



#### HYDROSTATIC TRANSMISSION

Two HydroGear™ EZT 2200 hydrostatic transmissions deliver up to 291 Nm of torque. Maintenance-free and reliable.



#### COMFORT SEAT

The IKON XD is equipped with an upholstered seat with a higher backrest. Armrests are standard. It is fully adjustable.



#### WELDED CUTTER DECKS

The IKON XD has welded cutter decks made of 2.9 mm thick sheet steel for greater stability and durability. As with all Ariens zero-turn mowers, it is suspended at four fixed points. A reinforced steel edge protects the front and sides. The blade carriers sit on reinforced spindle plates. With a depth of 11 cm, the deck allows a strong airflow for optimal cutting. If desired, a mulching kit can be installed and the side deflector removed.



#### CHOOSE YOUR ENGINE (DEPENDING ON MODEL)

High-quality Kawasaki FR691 or FR651 V-engine with 726 cc displacement or a powerful and reliable Ariens 764 cc engine.



# EDGE SERIES



**2 YEAR\***  
OR  
**150 HOURS**  
WARRANTY



## ENJOY ALL THE ADVANTAGES OF A ZERO-TURN ON YOUR LAWN

Zero-turn mowers are not just for large areas. With its compact dimensions, the EDGE brings speed and manoeuvrability to even the most winding gardens. In the 86 cm cutting width it is equipped with a stamped mower deck and in the 107 cm cutting width with a welded mower deck. A robust 4-point cutter deck suspension and cutting height adjustment via foot pedal are standard. A comfortable seat with a cut-out back and good legroom ensure comfort. Its maintenance-free wheel drive reduces maintenance intervals. The EDGE is powered by an Ariens 2-cylinder 635 cc engine.

\* The current general warranty terms and conditions of AriensCo apply

### MODEL OVERVIEW

	EDGE 34	EDGE 42
MODEL	915338	915339
ENGINE	Ariens 635cc	Ariens 635cc
CUTTING WIDTH	86cm (34")	107cm (42")
DECK TYPE	Side discharge	Side discharge
MULCH KIT (OPTIONAL)	Yes	Yes
MAX GROUND SPEED (FWD/REV)	9.6km/h (6mph) / 4.8km/h (3mph)	9.6km/h (6mph) / 4.8km/h (3mph)



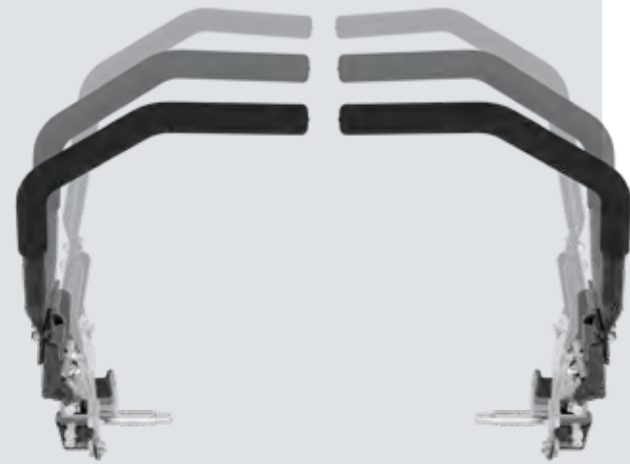
Accessories: Page 50/52, Specifications: Page 59



## ZERO-TURNS

# FEATURES & BENEFITS

## EDGE ZERO-TURN



### INTUITIVE CONTROL

Anyone can drive a zero-turn. After just 20 minutes, you will love the precision and sensitivity. Each wheel motor can be controlled individually and independently of the other. This makes a 360° zero-turn possible.



### 4-POINT CUTTER DECK SUSPENSION

The four-point deck lift system offers unmatched stability and consistent cutting.



### CUTTING HEIGHT ADJUSTMENT

A simple and intuitive foot-operated deck lifting system offers effortless adjustment to seven cutting positions.



### POWERFUL ENGINE

The powerful Ariens 635 cc engine has earned a reputation for reliability and performance over the years.



### HYDRO-TRANSAXLES

Two HydroGear™ EZT hydraulic transmissions are maintenance-free and reliable.

### COMPACT CUTTER DECKS

Choose between cutting widths of 86 cm or 107 cm. With the optional mulching kit fitted, the side discharge deflector can also be removed and the overall width is reduced. Advantageous for narrow passages.



### COMFORTABLE SEAT

The EDGE is equipped with a padded seat with a cut-out back for better ventilation. It is adjustable for the operator.





# ACCESSORIES OVERVIEW

	ARROW	ARROW E	ZENITH E	ZENITH	APEX	IKON XD	EDGE
MULCH KITS (FOR SIDE DISCHARGE CUTTER DECKS ONLY)	32" 79403200	48" 79701800	48" 79701800	-	48" 79105700	42" 71513900	34" 71510800
	36" 79403300	52" 79800100	52" 79701900	52" 79105800	52" 79105800	52" 71514000	42" 71516000
	-	-	60" 79702000 for model 997305	60" 79105900	-	-	-
STRIPING KIT	-	-	79221800 side discharge models	79206700 side discharge models	79206700 side discharge models	79206700	-
TRAILER HITCH KIT	-	-	-	79202300	79202300	71514900	71502800
OPERATOR CONTROLLED CHUTE Baffle (FOR SIDE DISCHARGE CUTTER DECKS ONLY)	-	-	79110000	79110000	79110000	-	-
ROPS (ROLLOVER PROTECTION STRUCTURE)	-	-	Standard	Standard	89101100	-	-
FULL SUSPENSION SEAT KIT	-	-	Standard	Standard	79108200	-	-
SUSPENSION FORKS KIT	-	-	79703000	Standard	79109000	-	-
LED LIGHTING KIT	-	-	79700400	79106800	79106800	71514100	-
RUBBER MAT	-	-	-	-	-	70714300	-
COVER	-	-	-	-	71515200	71515200	71515200
"TWEELS" KIT (2 PIECES, REAR)	-	-	79702900	79702900	79702900	-	-
AGGRESSIVE TREAD PATTERN REAR TYRE KIT	-	-	-	79108900	79108900	-	-
13" SEMI-PNEUMATIC FRONT TYRE KIT	-	-	79105200	79105200	79105200	-	-
HIGH LIFT BLADE KIT (USING THE HIGH LIFT BLADES WILL DECREASE BATTERY LIFE)	-	-	48" 79702100	For side discharge decks (available via spare parts)	For side discharge decks (available via spare parts)	-	-
	-	-	48" R 79702700	-	-	-	-
	-	-	52" 79702200	-	-	-	-
	-	-	52" R 79702600	-	-	-	-
	-	-	60" 79701400	-	-	-	-
-	-	60" R 79702500	-	-	-	-	
FUSIONCORE OFFBOARD CHARGER (WITHOUT BATTERIES)	-	89700300	89700300	-	-	-	-
SINGLE REPLACEMENT BATTERY, FUSIONCORE, 56V 4 KWH	-	89700100	89700100	-	-	-	-
FAST CHARGE KIT WITH Y HARNESS	-	79701300	79701300	-	-	-	-
BEACON LIGHT KIT	-	-	79700500	-	-	-	-
FLEXTEND SHOULDER SUPPORT	-	-	-	-	-	-	79102300

# ZENITH E ACCESSORIES



**56V BATTERY KIT (SINGLE BATTERY)**  
Additional FusionCore 56V Li-Ion swappable battery, 4,0 kWh.



**OFF BOARD CHARGER KIT**  
Charge up to four additional batteries outside of the machine. Charging time 4 batteries 0-100%: 12 hours. Option to upgrade to Fast Charger



**FAST CHARGER W/Y HARNESS KIT**  
Additional charger. Charges the four batteries in the machine in just 5.3 hours.



**MULCH KIT**  
For installation in side discharge cutter decks. Ensures a clean mulching result. Closes the side discharge. Side deflector can then be removed.



**OPERATOR CONTROLLED CHUTE Baffle**  
For all side discharge cutter decks. Controls the ejection distance of the clippings with a hand lever.



**STRIPING KIT**  
Creates a striped lawn. For side discharge/mulch kit models.



**HIGH LIFT BLADE KIT**  
Useful when grass is thin and compacted. Generates an extra strong airflow. Decreases battery range compared to standard blades.



**SUSPENSION FORKS KIT**  
Reduces vibrations and shocks for increased operator comfort. Matched to the weight of the ZENITH E.



**13" SEMI-PNEUMATIC FRONT TYRE KIT**  
Puncture proof.



**"TWEELS" RAD KIT**  
Lasts as long as 2-3 conventional sets of pneumatic tyres. Excellent suspension comfort. 100% puncture proof. Matched to the weight of the ZENITH E.



**LED HEADLIGHT KIT**  
For mounting on the side frame.



**BEACON LIGHT KIT**  
LED warning light for mounting on the ROPS rollover protection. Increases visibility.



## ZERO-TURN ACCESSORIES



### MULCH KITS

Baffles create individual, separate cutting chambers for each blade. With every rotation of the blade, the mower sucks up grass in the closed cutting chamber, where the clippings are cut several times before they fall finely chopped onto the lawn.



### STRIPING KIT

There is nothing more pristine in the spring and summer than a newly mown lawn with stripes. Add that finishing touch with a striping kit that easily mounts to ZENITH, APEX and IKON XD side discharge models.



### OPERATOR CONTROLLED CHUTE BAFFLE

For ZENITH E, ZENITH and APEX models fitted with side discharge cutter decks. Controls the ejection distance of the clippings with a hand lever.



### SUSPENSION FORKS KIT

Reduces vibrations and shocks for increased driving comfort. For all APEX models. (Standard on all ZENITH models)



### FULL SUSPENSION SEAT KIT

For all APEX models. Replaces standard seat. Suspension hardness adjustable. (Without seatbelt).



### ROPS KIT

Increases security for the operator. Ergonomic shape protects the driver's elbows from impact. Foldable for driving under trees. With mandatory seatbelt. Can be retrofitted to all APEX models.



### HITCH KITS

Transform your Ariens zero-turn into a versatile machine simply by adding the hitch. The kit's robust design allows you to tow a range of accessories.



### FLOOR MAT

For the IKON XD. Increases driving comfort. The mat absorbs vibrations on the feet and prevents feet from slipping while driving and when dismounting. 100% weatherproof rubber. Easy to remove for cleaning.



### FLEXTEND™ SHOULDER SUPPORT SYSTEM

Gives additional support to the shoulder area when mowing for extended periods. For EDGE models.



### LED HEADLIGHT KITS

For mounting on the side frame. For ZENITH, APEX and IKON XD.



### ZERO-TURN COVER

Protect your investment and extend the life of your equipment with an Ariens zero-turn cover. Fits EDGE, IKON XD and APEX models



### AGGRESSIVE TREAD PATTERN REAR TYRE KIT

Tackle slopes with confidence and reduce turf scuffing with an upgraded tread pattern. Fits APEX and ZENITH models



### "TWEELS" KIT

Lasts as long as 2-3 conventional sets of pneumatic tyres. Excellent suspension comfort. 100% puncture proof. For APEX and ZENITH models.



### 13" SEMI-PNEUMATIC FRONT TYRE KIT

Spare wheel kit for ZENITH E, ZENITH and APEX models



We find that Ariens' machines are built to a very high standard and are competitively priced. The very positive feedback we get from our customers, cements our confidence in the brand. We believe Ariens are the market leader for zero-turns in the UK and we're proud to be a dealer.

**MARK AND AMANDA BROWN**  
M&A BROWN & SONS



## WHAT DO OUR DEALERS SAY ABOUT ARIENS PRODUCTS?



Ariens machines are reliable, offer value for money and provide excellent performance even in demanding conditions.

**DAVID WEBSTER**  
MOWERPOWER LTD



Arthur Ibbett Ltd have been an Ariens dealer for 40 years now and will continue to be as they offer a great range of machines at an affordable price.

**LOUISE DANBURY-PETERS**  
ARTHUR IBBETT LTD





# SPECIFICATIONS

	ZENITH E 48	ZENITH E 48R	ZENITH E 52	ZENITH E 52R	ZENITH E 60	ZENITH E 60R
<b>MODEL #</b>	997303	997306	997304	997307	997305	997308
<b>BATTERY TYPE</b>	56V FusionCore Lithium Ion Swappable	56V FusionCore Lithium Ion Swappable	56V FusionCore Lithium Ion Swappable	56V FusionCore Lithium Ion Swappable	56V FusionCore Lithium Ion Swappable	56V FusionCore Lithium Ion Swappable
<b>BATTERY CAPACITY</b>	4x 4 kWh	4x 4 kWh	4x 4 kWh	4x 4 kWh	4x 4 kWh	4x 4 kWh
<b>BATTERY NUMBER</b>	4 interchangeable	4 interchangeable	4 interchangeable	4 interchangeable	4 interchangeable	4 interchangeable
<b>CHARGE TIME</b>	5.3 - 12 hours (depending on charger)	5.3 - 12 hours (depending on charger)	5.3 - 12 hours (depending on charger)	5.3 - 12 hours (depending on charger)	5.3 - 12 hours (depending on charger)	5.3 - 12 hours (depending on charger)
<b>DRIVE DESCRIPTION</b>	Proprietary Electric Transaxle	Proprietary Electric Transaxle	Proprietary Electric Transaxle	Proprietary Electric Transaxle	Proprietary Electric Transaxle	Proprietary Electric Transaxle
<b>MAX SPEED FWD/REV (APPROX)</b>	17.7km/h / 8.9km/h (11mph / 5.5mph)	17.7km/h / 8.9km/h (11mph / 5.5mph)	17.7km/h / 8.9km/h (11mph / 5.5mph)	17.7km/h / 8.9km/h (11mph / 5.5mph)	17.7km/h / 8.9km/h (11mph / 5.5mph)	17.7km/h / 8.9km/h (11mph / 5.5mph)
<b>DECK TYPE</b>	Side Discharge	Rear Discharge	Side Discharge	Rear Discharge	Side Discharge	Rear Discharge
<b>MULCH KIT</b>	Optional	-	Optional	-	Optional	-
<b>DECK MATERIAL</b>	4.5 mm sheet steel	4.5 mm sheet steel	4.5 mm sheet steel	4.5 mm sheet steel	4.5 mm sheet steel	4.5 mm sheet steel
<b>DECK CONSTRUCTION</b>	Fabricated	Fabricated	Fabricated	Fabricated	Fabricated	Fabricated
<b>SPINDLES</b>	FusionCore Direct Electric Drive brushless motors, 3x 3.5 kW max.	FusionCore Direct Electric Drive brushless motors, 3x 3.5 kW max.	FusionCore Direct Electric Drive brushless motors, 3x 3.5 kW max.	FusionCore Direct Electric Drive brushless motors, 3x 3.5 kW max.	FusionCore Direct Electric Drive brushless motors, 3x 3.5 kW max.	FusionCore Direct Electric Drive brushless motors, 3x 3.5 kW max.
<b>DECK LIFT SYSTEM</b>	Foot Operated	Foot Operated	Foot Operated	Foot Operated	Foot Operated	Foot Operated
<b>CUTTING WIDTH</b>	122cm (48")	122cm (48")	132cm (52")	132cm (52")	152cm (60")	152cm (60")
<b>CUTTING HEIGHTS</b>	3.8cm (1.5") - 12.7cm (5")	3.8cm (1.5") - 12.7cm (5")	3.8cm (1.5") - 12.7cm (5")	3.8cm (1.5") - 12.7cm (5")	3.8cm (1.5") - 12.7cm (5")	3.8cm (1.5") - 12.7cm (5")
<b>CUTTING POSITIONS</b>	15	15	15	15	15	15
<b>FRONT AXLE</b>	Fixed, greasable caster fork tubes	Fixed, greasable caster fork tubes	Fixed, greasable caster fork tubes	Fixed, greasable caster fork tubes	Fixed, greasable caster fork tubes	Fixed, greasable caster fork tubes
<b>WHEELS (FRONT)</b>	33cm x 16.5cm (13" x 6.5-6")	33cm x 16.5cm (13" x 6.5-6")	33cm x 16.5cm (13" x 6.5-6")	33cm x 16.5cm (13" x 6.5-6")	33cm x 16.5cm (13" x 6.5-6")	33cm x 16.5cm (13" x 6.5-6")
<b>WHEELS (BACK)</b>	55.9cm x 25.4cm (22" x 10"-12")	55.9cm x 25.4cm (22" x 10"-12")	55.9cm x 25.4cm (22" x 10.5"-12")	55.9cm x 25.4cm (22" x 10.5"-12")	55.9cm x 25.4cm (22" x 12"-12")	55.9cm x 25.4cm (22" x 12"-12")
<b>LED INTERFACE W/ HOUR COUNTER &amp; 2 USB CHARGING SOCKETS</b>	Standard	Standard	Standard	Standard	Standard	Standard
<b>SEAT</b>	Full suspension, adjustable seat with high backrest and armrests	Full suspension, adjustable seat with high backrest and armrests	Full suspension, adjustable seat with high backrest and armrests	Full suspension, adjustable seat with high backrest and armrests	Full suspension, adjustable seat with high backrest and armrests	Full suspension, adjustable seat with high backrest and armrests
<b>WEIGHT</b>	572kg (1,261lbs)	583.3kg (1,286lbs)	582.4kg (1,284lbs)	590.1kg (1,301lbs)	595.1kg (1,312lbs)	601.5kg (1,326lbs)
<b>LENGTH</b>	211cm (83")	211cm (83")	211cm (83")	211cm (83")	211cm (83 in)	211cm (83")
<b>WIDTH</b>	160cm (63") w/ chute	124 cm (49")	171cm (67") w/ chute	137cm (54")	190cm (75") w/ chute	156.5cm (62")
<b>HEIGHT</b>	124.5cm (49") w/ ROPS folded down 182.9cm (72") w/ ROPS up	124.5cm (49") w/ ROPS folded down 182.9cm (72") w/ ROPS up	124.5cm (49") w/ ROPS folded down 182.9cm (72") w/ ROPS up	124.5cm (49") w/ ROPS folded down 182.9cm (72") w/ ROPS up	124.5cm (49") w/ ROPS folded down 182.9cm (72") w/ ROPS up	124.5cm (49") w/ ROPS folded down 182.9cm (72") w/ ROPS up
<b>WARRANTY (MACHINE)*</b>	5 year / 1,500 hour (no hour limit for first 2 years)	5 year / 1,500 hour (no hour limit for first 2 years)	5 year / 1,500 hour (no hour limit for first 2 years)	5 year / 1,500 hour (no hour limit for first 2 years)	5 year / 1,500 hour (no hour limit for first 2 years)	5 year / 1,500 hour (no hour limit for first 2 years)
<b>WARRANTY (BATTERY)*</b>	3 Year	3 Year	3 Year	3 Year	3 Year	3 Year
<b>WARRANTY (DECK SHELL &amp; FRAME)*</b>	Limited lifetime	Limited lifetime	Limited lifetime	Limited lifetime	Limited lifetime	Limited lifetime
<b>ATTACHMENTS &amp; ACCESSORIES</b>	See Page 50					

\* The current general warranty terms and conditions of AriensCo apply

	ARROW E 48	ARROW E 48R	ARROW E 52	ARROW E 52R
<b>MODEL #</b>	998301	998304	998302	998305
<b>BATTERY TYPE</b>	56V FusionCore Lithium Ion Swappable	56V FusionCore Lithium Ion Swappable	56V FusionCore Lithium Ion Swappable	56V FusionCore Lithium Ion Swappable
<b>BATTERY CAPACITY</b>	4x 4 kWh	4x 4 kWh	4x 4 kWh	4x 4 kWh
<b>BATTERY NUMBER</b>	4 interchangeable	4 interchangeable	4 interchangeable	4 interchangeable
<b>CHARGE TIME</b>	5.3 - 12 hours (depending on charger)	5.3 - 12 hours (depending on charger)	5.3 - 12 hours (depending on charger)	5.3 - 12 hours (depending on charger)
<b>DRIVE SYSTEM</b>	Proprietary Electric Transaxle	Proprietary Electric Transaxle	Proprietary Electric Transaxle	Proprietary Electric Transaxle
<b>MAX SPEED FWD/REV (APPROX)</b>	17.7km/h / 8.9km/h (11mph / 5.5mph)	17.7km/h / 8.9km/h (11mph / 5.5mph)	17.7km/h / 8.9km/h (11mph / 5.5mph)	17.7km/h / 8.9km/h (11mph / 5.5mph)
<b>CUTTING WIDTH</b>	122cm (48")	122cm (48")	132cm (52")	132cm (52")
<b>DECK TYPE</b>	Side discharge	Rear discharge	Side discharge	Rear discharge
<b>MULCH KIT</b>	Optional	-	Optional	-
<b>DECK MATERIAL</b>	4.5 mm sheet steel	4.5 mm sheet steel	4.5 mm sheet steel	4.5 mm sheet steel
<b>DECK CONSTRUCTION</b>	Fabricated	Fabricated	Fabricated	Fabricated
<b>SPINDLES</b>	FusionCore Direct Electric Drive brushless motors, 3x 3.5 kW max.	FusionCore Direct Electric Drive brushless motors, 3x 3.5 kW max.	FusionCore Direct Electric Drive brushless motors, 3x 3.5 kW max.	FusionCore Direct Electric Drive brushless motors, 3x 3.5 kW max.
<b>SPINDLE BEARINGS</b>	Serviceable Bottom Bearing	Serviceable Bottom Bearing	Serviceable Bottom Bearing	Serviceable Bottom Bearing
<b>DECK LIFT SYSTEM</b>	Foot pedal and hand lever	Foot pedal and hand lever	Foot pedal and hand lever	Foot pedal and hand lever
<b>CUTTING HEIGHTS</b>	3.8cm (1.5") - 12.7cm (5")	3.8cm (1.5") - 12.7cm (5")	3.8cm (1.5") - 12.7cm (5")	3.8cm (1.5") - 12.7cm (5")
<b>CUTTING POSITIONS</b>	15	15	15	15
<b>FRONT AXLE</b>	Fixed, greasable caster fork tubes	Fixed, greasable caster fork tubes	Fixed, greasable caster fork tubes	Fixed, greasable caster fork tubes
<b>WHEELS (FRONT)</b>	Smooth 13 x 6.5-6 semi-pneumatic	Smooth 13 x 6.5-6 semi-pneumatic	Smooth 13 x 6.5-6 semi-pneumatic	Smooth 13 x 6.5-6 semi-pneumatic
<b>WHEELS (BACK)</b>	20 X 10.5-8 Turf	20 X 10.5-8 Turf	20 X 10.5-8 Turf	20 X 10.5-8 Turf
<b>LED INTERFACE W/ HOUR COUNTER &amp; 2 USB CHARGING SOCKETS</b>	Standard	Standard	Standard	Standard
<b>WEIGHT</b>	546kg (1,204lbs)	545kg (1,203lbs)	562kg (1,240lbs)	561kg (1,236lbs)
<b>LENGTH</b>	189.2cm (74.5")	189.2cm (74.5")	189.2cm (74.5")	189.2cm (74.5")
<b>WIDTH</b>	127cm (50") w/o chute 157cm (62") w/ chute	127cm (50")	142cm (56") w/o chute 170cm (67") w/ chute	137cm (54")
<b>HEIGHT</b>	116.8cm (46")	116.8cm (46")	116.8cm (46")	116.8cm (46")
<b>WARRANTY (MACHINE)*</b>	5 year / 1,500 hour (no hour limit for first 2 years)	5 year / 1,500 hour (no hour limit for first 2 years)	5 year / 1,500 hour (no hour limit for first 2 years)	5 year / 1,500 hour (no hour limit for first 2 years)
<b>WARRANTY (BATTERY)*</b>	3 Year	3 Year	3 Year	3 Year
<b>WARRANTY (DECK SHELL &amp; FRAME)*</b>	Limited lifetime	Limited lifetime	Limited lifetime	Limited lifetime
<b>ATTACHMENTS &amp; ACCESSORIES**</b>	Mulch Kit, Fast Charger, Off-board Charger	Fast Charger, Off-board Charger	Mulch Kit, Fast Charger, Off-board Charger	Fast Charger, Off-board Charger

\* The current general warranty terms and conditions of AriensCo apply

\*\*Additional accessories coming soon



# SPECIFICATIONS

	ZENITH 52	ZENITH 52R	ZENITH 60	ZENITH 60R
<b>MODEL #</b>	991320	991321	991322	991323
<b>ENGINE</b>	Kawasaki® FX730V	Kawasaki® FX730V	Kawasaki® FX730V	Kawasaki® FX730V
<b>DISPLACEMENT</b>	726cc	726cc	726cc	726cc
<b>DRIVE SYSTEM</b>	Hydro-Gear® ZT-3200 Transaxles	Hydro-Gear® ZT-3200 Transaxles	Hydro-Gear® ZT-3200 Transaxles	Hydro-Gear® ZT-3200 Transaxles
<b>FUEL CAPACITY</b>	19.3 litres	19.3 litres	19.3 litres	19.3 litres
<b>MAX GROUND SPEED (APPROX) (FWD/REV)</b>	13.7km/h / 6.4km/h (8.5mph / 4mph)	13.7km/h / 6.4km/h (8.5mph / 4mph)	13.7km/h / 6.4km/h (8.5mph / 4mph)	13.7km/h / 6.4km/h (8.5mph / 4mph)
<b>DECK TYPE</b>	Side discharge	Rear discharge	Side discharge	Rear discharge
<b>DECK MATERIAL</b>	3.6 mm sheet steel with double thickness around the blade carrier	3.6 mm sheet steel with double thickness around the blade carrier	3.6 mm sheet steel with double thickness around the blade carrier	3.6 mm sheet steel with double thickness around the blade carrier
<b>DECK CONSTRUCTION</b>	Fabricated	Fabricated	Fabricated	Fabricated
<b>NUMBER OF SPINDLES</b>	3	3	3	3
<b>SPINDLE MATERIAL</b>	Forged Aluminium	Forged Aluminium	Forged Aluminium	Forged Aluminium
<b>SPINDLE SHAFT</b>	Steel	Steel	Steel	Steel
<b>DECK ENGAGEMENT</b>	Electric Ogura® GT1.5	Electric Ogura® GT1.5	Electric Ogura® GT1.5	Electric Ogura® GT1.5
<b>DECK LIFT SYSTEM</b>	Foot Operated	Foot Operated	Foot Operated	Foot Operated
<b>CUTTING WIDTH</b>	132cm (52")	132cm (52")	152cm (60")	152cm (60")
<b>CUTTING HEIGHTS</b>	3.8cm (1.5") – 12.7cm (5")	3.8cm (1.5") – 12.7cm (5")	3.8cm (1.5") – 12.7cm (5")	3.8cm (1.5") – 12.7cm (5")
<b>CUTTING POSITIONS</b>	15	15	15	15
<b>WHEELS FRONT AXLE</b>	Caster fork suspension	Caster fork suspension	Caster fork suspension	Caster fork suspension
<b>WHEELS (FRONT)</b>	33cm x 16.5cm (13" x 6.5-6")	33cm x 16.5cm (13" x 6.5-6")	33cm x 16.5cm (13" x 6.5-6")	33cm x 16.5cm (13" x 6.5-6")
<b>WHEELS (BACK)</b>	55.9cm x 30.5cm (22" x 12"-12")	55.9cm x 30.5cm (22" x 12"-12")	55.9cm x 30.5cm (22" x 12"-12")	55.9cm x 30.5cm (22" x 12"-12")
<b>SEAT</b>	Full Suspension High Back Seat w/ Padded Armrests	Full Suspension High Back Seat w/ Padded Armrests	Full Suspension High Back Seat w/ Padded Armrests	Full Suspension High Back Seat w/ Padded Armrests
<b>ROPS (ROLLOVER PROTECTION STRUCTURE)</b>	Standard	Standard	Standard	Standard
<b>HOUR METER</b>	Standard	Standard	Standard	Standard
<b>WEIGHT</b>	421kg (928lbs)	411kg (906lbs)	429kg (946lbs)	422kg (930lbs)
<b>LENGTH</b>	205.7cm (81")	205.7cm (81")	205.7cm (81")	205.7cm (81")
<b>WIDTH</b>	171cm (67") w/ chute	137cm (54")	190cm (75") w/ chute	156.5cm (62")
<b>HEIGHT</b>	124.5cm (49") w/ ROPS folded down 182.9cm (72") w/ ROPS up	124.5cm (49") w/ ROPS folded down 182.9cm (72") w/ ROPS up	124.5cm (49") w/ ROPS folded down 182.9cm (72") w/ ROPS up	124.5cm (49") w/ ROPS folded down 182.9cm (72") w/ ROPS up
<b>WARRANTY (MACHINE)*</b>	4 Year / 750 Hour	4 Year / 750 Hour	4 Year / 750 Hour	4 Year / 750 Hour
<b>ATTACHMENTS &amp; ACCESSORIES</b>	See Page 50 & 52			

	ARROW 32	ARROW 36
<b>MODEL #</b>	994302	994303
<b>ENGINE</b>	Kawasaki® FS 600 V-Twin	Kawasaki® FS 600 V-Twin
<b>DISPLACEMENT</b>	603cc	603cc
<b>DRIVE SYSTEM</b>	Hydro-Gear® ZT-3100 Transaxle	Hydro-Gear® ZT-3100 Transaxle
<b>FUEL CAPACITY</b>	22.7 litres	22.7 litres
<b>MAX GROUND SPEED (APPROXIMATE) (FWD/REV)</b>	12.8km/h / 4.8km/h (8mph / 3mph)	12.8km/h / 4.8km/h (8mph / 3mph)
<b>STARTER</b>	Electric	Electric
<b>DECK MATERIAL</b>	4.5 mm sheet steel	4.5 mm sheet steel
<b>DECK CONSTRUCTION</b>	Welded	Welded
<b>NUMBER OF SPINDLES</b>	2	2
<b>SPINDLE HOUSING</b>	Forged Aluminium	Forged Aluminium
<b>SPINDLE SHAFT</b>	Steel	Steel
<b>SPINDLE BEARINGS</b>	Ball Bearing	Ball Bearing
<b>DECK DRIVE</b>	Belt	Belt
<b>DECK ENGAGEMENT</b>	Electric Clutch	Electric Clutch
<b>DECK LIFT SYSTEM</b>	Foot pedal and hand lever	Foot pedal and hand lever
<b>CUTTING WIDTH</b>	81cm (32")	91cm (36")
<b>CUTTING HEIGHTS</b>	3.8cm - 12.7cm (1.5" - 5.0")	3.8cm - 12.7cm (1.5" - 5.0")
<b>CUTTING POSITIONS</b>	15	15
<b>WHEELS (FRONT)</b>	11 x 4.00-5 semi-pneumatic	11 x 4.00-5 semi-pneumatic
<b>WHEELS (BACK)</b>	18 x 6.50 - 8 radial	18 x 8.50 - 8 radial
<b>WEIGHT</b>	351kg (774lbs)	357kg (787lbs)
<b>LENGTH</b>	160cm (63")	160cm (63")
<b>WIDTH</b>	85.1cm (33.5")	92.7cm (36.5")
<b>HEIGHT</b>	121.9cm (48")	121.9cm (48")
<b>WARRANTY (MACHINE)*</b>	5 Year / 1000 Hour No hour limit first 2 years	5 Year / 1000 Hour No hour limit first 2 years
<b>WARRANTY (DECK SHELL &amp; FRAME)*</b>	Limited lifetime	Limited lifetime
<b>ATTACHMENTS &amp; ACCESSORIES**</b>	Mulch Kit	Mulch Kit

\* The current general warranty terms and conditions of AriensCo apply

\* The current general warranty terms and conditions of AriensCo apply

\*\*Additional accessories coming soon



# SPECIFICATIONS

	<b>APEX 48</b>	<b>APEX 48R</b>	<b>APEX 52</b>	<b>APEX 52R</b>
<b>MODEL #</b>	991324	991325	991326	991327
<b>ENGINE</b>	Kawasaki® FR691 V-Twin	Kawasaki® FR691 V-Twin	Kawasaki® FR691 V-Twin	Kawasaki® FR691 V-Twin
<b>DISPLACEMENT</b>	726cc	726cc	726cc	726cc
<b>DRIVE SYSTEM</b>	Hydro-Gear® ZT-3100 Transaxles	Hydro-Gear® ZT-3100 Transaxles	Hydro-Gear® ZT-3100 Transaxles	Hydro-Gear® ZT-3100 Transaxles
<b>FUEL CAPACITY</b>	19.3 litres	19.3 litres	19.3 litres	19.3 litres
<b>MAX GROUND SPEED (APPROX) (FWD/REV)</b>	12.9km/h / 6.4km/h (8mph / 4mph)	12.9km/h / 6.4km/h (8mph / 4mph)	12.9km/h / 6.4km/h (8mph / 4mph)	12.9km/h / 6.4km/h (8mph / 4mph)
<b>DECK TYPE</b>	Side discharge	Rear discharge	Side discharge	Rear discharge
<b>DECK MATERIAL</b>	3.6 mm sheet steel with double thickness around the blade carrier	3.6 mm sheet steel with double thickness around the blade carrier	3.6 mm sheet steel with double thickness around the blade carrier	3.6 mm sheet steel with double thickness around the blade carrier
<b>DECK CONSTRUCTION</b>	Fabricated	Fabricated	Fabricated	Fabricated
<b>NUMBER OF SPINDLES</b>	3	3	3	3
<b>SPINDLE MATERIAL</b>	Forged Aluminium	Forged Aluminium	Forged Aluminium	Forged Aluminium
<b>SPINDLE SHAFT</b>	Steel	Steel	Steel	Steel
<b>DECK ENGAGEMENT</b>	Electric Ogura	Electric Ogura	Electric Ogura	Electric Ogura
<b>DECK LIFT SYSTEM</b>	Foot Operated	Foot Operated	Foot Operated	Foot Operated
<b>CUTTING WIDTH</b>	122cm (48")	122cm (48")	132cm (52")	132cm (52")
<b>CUTTING HEIGHTS</b>	3.8cm (1.5") - 12.7cm (5")	3.8cm (1.5") - 12.7cm (5")	3.8cm (1.5") - 12.7cm (5")	3.8cm (1.5") - 12.7cm (5")
<b>CUTTING POSITIONS</b>	15	15	15	15
<b>WHEELS (FRONT)</b>	33cm x 16.5cm (13" x 6.5-6")	33cm x 16.5cm (13" x 6.5-6")	33cm x 16.5cm (13" x 6.5-6")	33cm x 16.5cm (13" x 6.5-6")
<b>WHEELS (BACK)</b>	55.9cm x 24.1-30.5cm (22" x 9.5-12")	55.9cm x 24.1-30.5cm (22" x 9.5-12")	55.9cm x 24.1-30.5cm (22" x 9.5-12")	55.9cm x 24.1-30.5cm (22" x 9.5-12")
<b>SEAT</b>	High Back Premium w/ Padded Armrests	High Back Premium w/ Padded Armrests	High Back Premium w/ Padded Armrests	High Back Premium w/ Padded Armrests
<b>HOOR METER</b>	Standard	Standard	Standard	Standard
<b>WEIGHT</b>	374.2kg (825lbs)	371.2kg (818lbs)	395kg (871lbs)	388.9kg (857lbs)
<b>LENGTH</b>	200.6cm (79")	200.6cm (79")	200.6cm (79")	200.6cm (79")
<b>WIDTH</b>	160cm (63")	124cm (49")	170cm (67")	137cm (54")
<b>HEIGHT</b>	119.3cm (47")	119.3cm (47")	119.3cm (47")	119.3cm (47")
<b>WARRANTY (MACHINE)*</b>	4 Year / 500 Hour	4 Year / 500 Hour	4 Year / 500 Hour	4 Year / 500 Hour
<b>ATTACHMENTS &amp; ACCESSORIES</b>	See Page 50			

\* The current general warranty terms and conditions of AriensCo apply

	<b>IKON XD 42</b>	<b>IKON XD 42</b>	<b>IKON XD 52</b>	<b>IKON XD 52</b>	<b>EDGE 34</b>	<b>EDGE 42</b>
<b>MODEL #</b>	915342	915340	915343	915341	915338	915339
<b>ENGINE</b>	Ariens Twin Cylinder	Kawasaki® FR651	Ariens Twin Cylinder	Kawasaki® FR691	Ariens	Ariens
<b>DISPLACEMENT</b>	764cc	726cc	764cc	726cc	635cc	635cc
<b>DRIVE SYSTEM</b>	Hydro-Gear® EZT 2200 Transaxles	Hydro-Gear® EZT 2200 Transaxles	Hydro-Gear® EZT 2200 Transaxles	Hydro-Gear® EZT 2200 Transaxles	Hydro-Gear® EZT Transaxles	Hydro-Gear® EZT Transaxles
<b>FUEL CAPACITY</b>	10.5 litres	10.5 litres	10.5 litres	10.5 litres	7.5 litres	7.5 litres
<b>MAX GROUND SPEED (APPROX) (FWD/REV)</b>	11.3km/h / 4.8km/h (7mph / 3mph)	11.3km/h / 4.8km/h (7mph / 3mph)	11.3km/h / 4.8km/h (7mph / 3mph)	11.3km/h / 4.8km/h (7mph / 3mph)	9.6km/h / 4.8km/h (6mph / 3mph)	9.6km/h / 4.8km/h (6mph / 3mph)
<b>DECK TYPE</b>	Side discharge	Side discharge	Side discharge	Side discharge	Side discharge	Side discharge
<b>DECK MATERIAL</b>	2.9 mm sheet steel with double thickness around blade carrier	2.9 mm sheet steel with double thickness around blade carrier	2.9 mm sheet steel with double thickness around blade carrier	2.9 mm sheet steel with double thickness around blade carrier	2.9 mm sheet steel with double thickness around blade carrier	2.9 mm sheet steel with double thickness around blade carrier
<b>DECK CONSTRUCTION</b>	Fabricated	Fabricated	Fabricated	Fabricated	Stamped	Fabricated
<b>NUMBER OF SPINDLES</b>	3	3	3	3	2	2
<b>SPINDLE MATERIAL</b>	Steel	Steel	Steel	Steel	Steel	Steel
<b>SPINDLE SHAFT</b>	Steel	Steel	Steel	Steel	Steel	Steel
<b>DECK ENGAGEMENT</b>	Electric Warner	Electric Warner	Electric Warner	Electric Warner	Electric Warner	Electric Warner
<b>DECK LIFT SYSTEM</b>	Foot Operated	Foot Operated	Foot Operated	Foot Operated	Foot Operated	Foot Operated
<b>CUTTING WIDTH</b>	107cm (42")	107cm (42")	132cm (52")	132cm (52")	86cm (34")	107cm (42")
<b>CUTTING HEIGHTS</b>	3.8-11.4cm (1.5"-4.5")	3.8-11.4cm (1.5"-4.5")	3.8-11.4cm (1.5"-4.5")	3.8-11.4cm (1.5"-4.5")	3.8-11.4cm (1.5"-4.5")	3.8-11.4cm (1.5"-4.5")
<b>CUTTING POSITIONS</b>	13	13	13	13	7	7
<b>WHEELS (FRONT)</b>	27.9cm x 10.2-12.7cm (11" x 4-5")	27.9cm x 10.2-12.7cm (11" x 4-5")	27.9cm x 10.2-12.7cm (11" x 4-5")	27.9cm x 10.2-12.7cm (11" x 4-5")	27.9cm x 10.2cm (11" x 4")	27.9cm x 10.2cm (11" x 4")
<b>WHEELS (BACK)</b>	50.8cm x 20.3-20.3cm (20" x 8-8")	50.8cm x 20.3-20.3cm (20" x 8-8")	50.8cm x 25.4-20.3cm (20" x 8-8")	50.8cm x 25.4-20.3cm (20" x 8-8")	45.7cm x 16.5-20.3cm (20" x 8-8")	45.7cm x 16.5-20.3cm (20" x 8-8")
<b>SEAT</b>	High Back w/ Armrests	High Back w/ Armrests	High Back w/ Armrests	High Back w/ Armrests	High Back w/ Seat Springs	High Back w/ Seat Springs
<b>HOOR METER</b>	Standard	Standard	Standard	Standard	Standard	Standard
<b>WEIGHT</b>	271.4kg (598lbs)	269.4kg (593lbs)	291.8kg (643lbs)	289.8kg (638lbs)	202.7kg (447lbs)	231.3kg (510lbs)
<b>LENGTH</b>	196.9cm (77.5")	196.9cm (77.5")	196.9cm (77.5")	196.9cm (77.5")	172.7cm (68")	172.7cm (68")
<b>WIDTH</b>	137.7cm (54.2")	137.7cm (54.2")	161cm (63.4")	161cm (63.4")	113.8cm (44.8")	139.2cm (54.8")
<b>HEIGHT</b>	101.6cm (40")	101.6cm (40")	101.6cm (40")	101.6cm (40")	99.8cm (39.3")	102.9cm (40.5")
<b>WARRANTY (MACHINE)*</b>	3 Year / 300 Hour	3 Year / 300 Hour	3 Year / 300 Hour	3 Year / 300 Hour	2 Year / 150 Hour	2 Year / 150 Hour
<b>ATTACHMENTS &amp; ACCESSORIES</b>	See Page 50 & 52					

\* The current general warranty terms and conditions of AriensCo apply



# TO FIND YOUR NEAREST ARIENS DEALER VISIT [ARIENS.EU](http://ARIENS.EU)

Authorised Ariens dealers are an essential part of the purchasing experience and on-going aftercare of our products. Be assured that as garden machinery specialists with first class product training, our dealers are experts in finding the right Ariens model to suit your requirements. They have the ability to demonstrate first hand the many benefits of owning an Ariens.

Only through our specialist dealers will you receive entitlements such as warranties, product inspections and safety checks on delivery – and have total confidence in the training and advice you will receive. Furthermore, they will carry out the necessary servicing and provide ongoing maintenance advice if required.



Visit us online: [www.ariens.eu](http://www.ariens.eu)

For product information, customer reviews, product videos, dealer locator and customer support



AriensCo GmbH  
Ellwanger Straße 15  
74424 Bühlertann  
Germany

+49 (0)7973/9123-0  
[www.ariens.eu](http://www.ariens.eu)

© COPYRIGHT 08/2023

Subject to changes and errors. No claims can be derived from information or illustrations.

® Registered trademark and trademark of Ariens Company.

Kawasaki®, Hydro-Gear®, Michelin Tweels® and StressProof® are registered trademarks of their respective companies.



**ARIENS**

**ARIENS**|CO